



TWIN SHAFT MIXER



<p>Mixer Tank 5/16" thick steel drum wall 3/4" thick steel end plates Two (2) 3" drains on one end of tank side</p>	<p>Drive Train Planetary transmission Belt-drive Two (2) right angle gear reducers (one per shaft) with oil bath lubrication TEFC 230/460 volt, 3 phase, 60 hertz motor</p>
<p>Liners Cast ni-hard drum liners Abrasion resistant steel side liners All are replaceable, bolted segments</p>	<p>Discharge Door Located on bottom of drum with door seals Hydraulic cylinder operated linkage Hydraulic power pack</p>
<p>Shaft Assembly Cast NI-Hard mixing paddles Cast NI-Hard side wipers Sealed, self-aligning pillow block bearings Lubrication cup with visual level indicator and spring-operated feeder for proper lubrication</p>	<p>Mixer Cover Steel top cover lid Hinged access doors on front and rear of mixer Hinged inspection door on front and rear of mixer Doors are gasketed for dust and water containment Doors include 'doors closed' interlock switches</p>
<p>Shaft Seals Air purge shaft seals installed on each end of shaft Construction for ease of field servicing Control panel to monitor the air system</p>	<p>Paint One color, high grade machinery enamel</p>



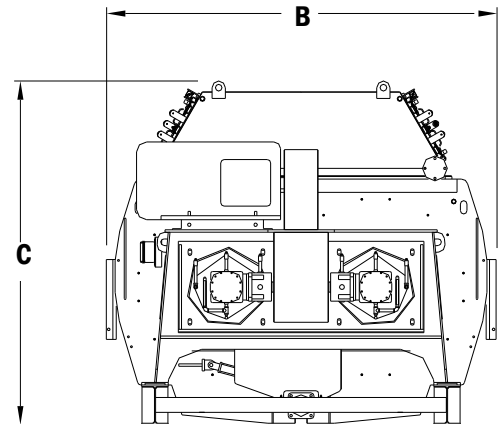
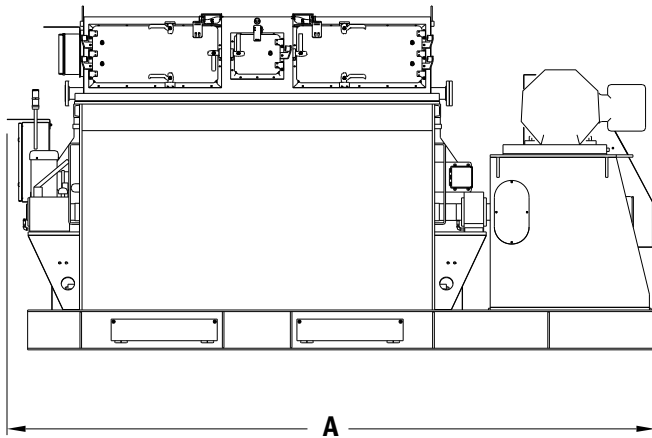
Phone 262-691-3100
 190 Simmons Ave \ PO Box 10
 Pewaukee, WI 53072-0010
www.mixersystems.com





TWIN SHAFT MIXER

MODEL	INPUT CAPACITY	MOTOR
4.0	164 CU FT or 16,400 LBS	200 HP
6.0	245 CU FT or 24,500 LBS	250 HP



	DESCRIPTION / MODEL	4.0	6.0
A	OVERALL LENGTH	14'-0"	15'-9"
B	OVERALL WIDTH	9'-4"	9'-4"
C	OVERALL HEIGHT	8'-4"	8'-4"
	MIXER WEIGHT	30,000 LBS	33,500 LBS



Phone 262-691-3100
190 Simmons Ave \ PO Box 10
Pewaukee, WI 53072-0010
www.mixersystems.com

